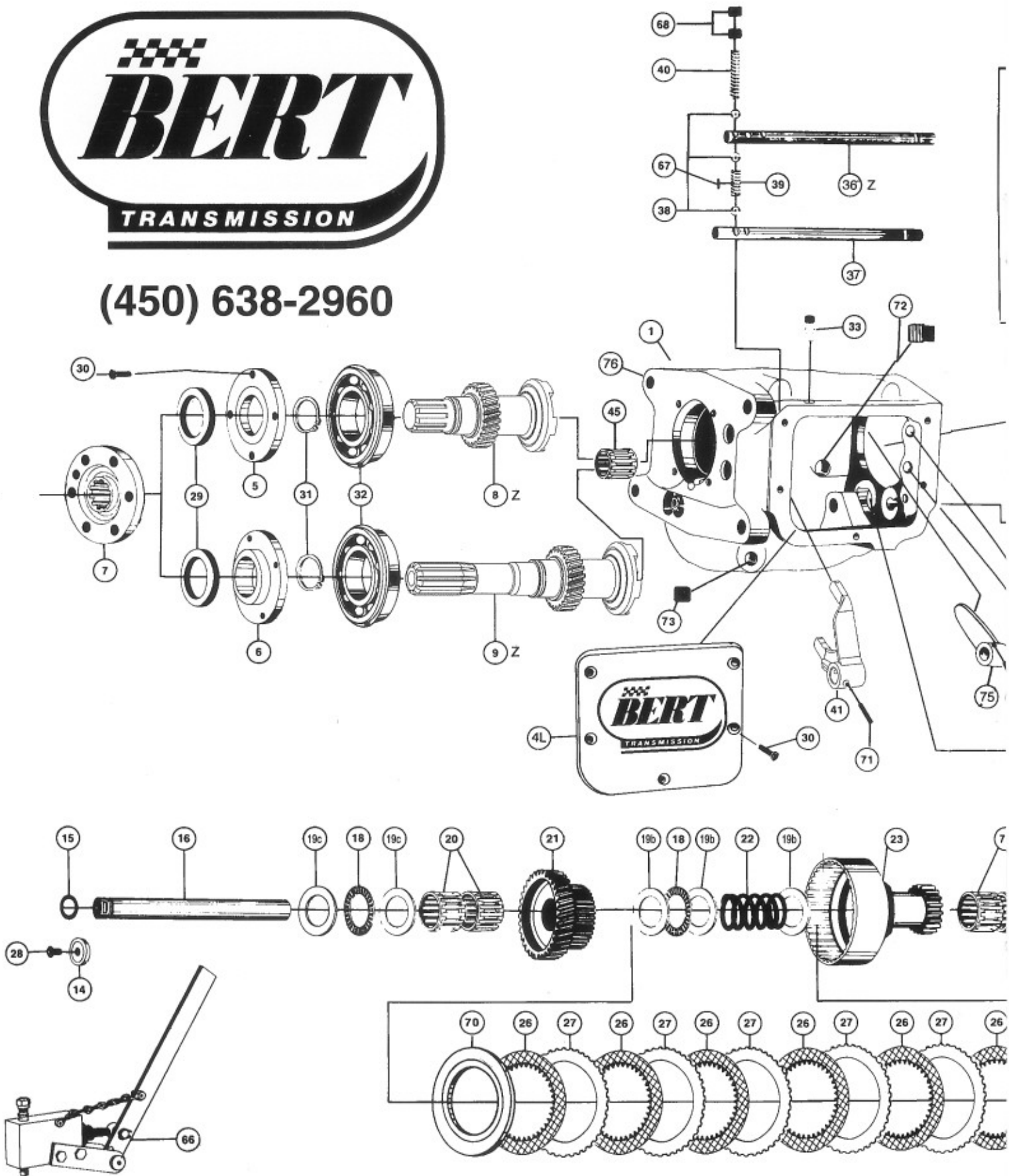
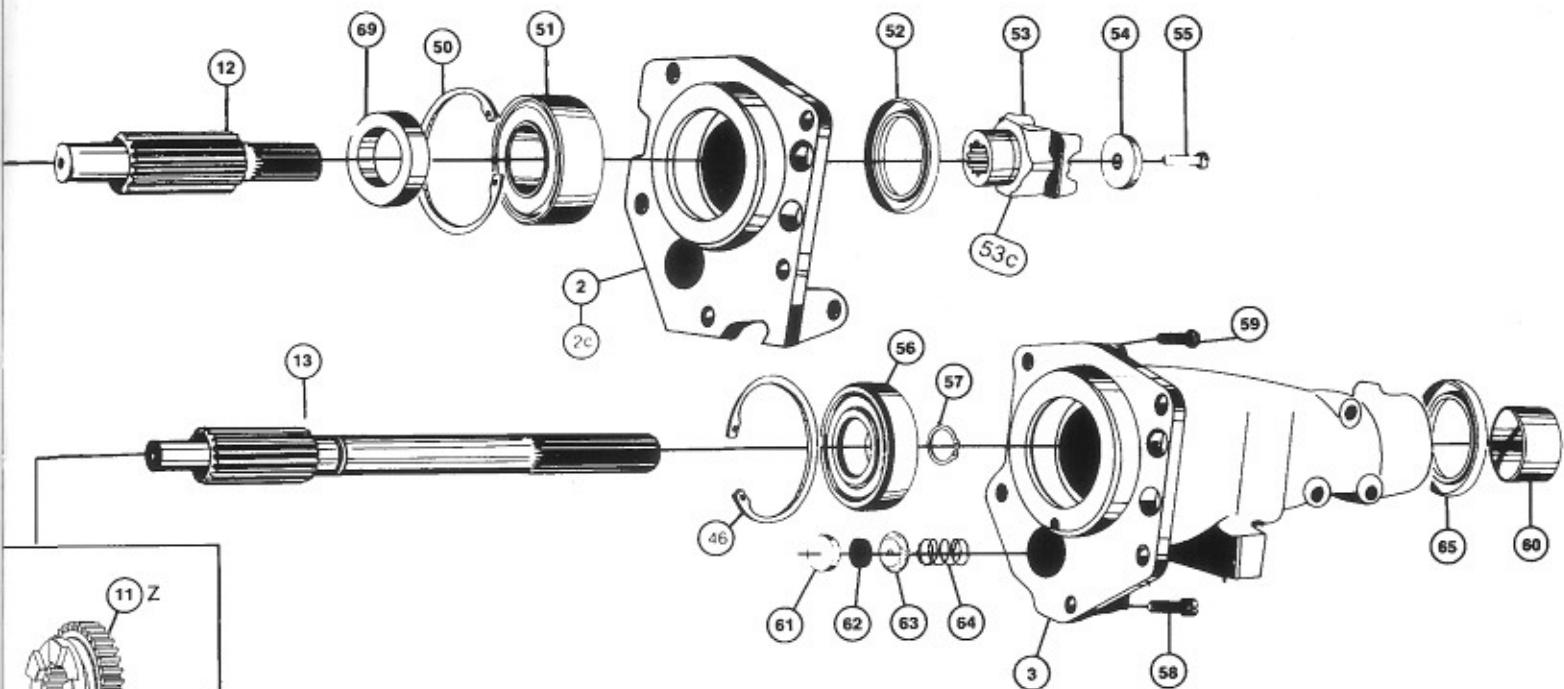




(450) 638-2960





- | | | |
|------|--------------------------------------|---|
| 1. | Main Casting | |
| 2. | Rear Cover (Open Drive) | |
| 2c. | Rear Cover (Close Drive) | |
| 3. | Tail Housing (Late Model) | |
| 4L. | Side Cover (Late Model) | |
| 4M. | Side Cover (Modified) | |
| 5. | Front Seal Cover (Short InPut) | |
| 6. | Front Cover (Long InPut) | |
| 7. | Drive Flange | |
| 8. | InPut modified *(8 Z) | |
| 9. | InPut Late model *(9Z) | |
| 11. | Direct Slider *(11Z) | |
| 12. | OutPut Modified | |
| 13. | OutPut Late Model | |
| 14. | Counter Shaft Locking Washer | |
| 15. | O Ring | |
| 16. | Counter Shaft | |
| 18. | Thrust Needle Roller | A |
| 19. | Thrust Washer | B |
| 20. | Cage Needle Roller (3/4") | C |
| 21. | Front Counter Gear | |
| 22. | Spring Counter | |
| 23. | Rear Counter Gear | |
| 24. | Push Sleeve | |
| 25. | Push Sleeve Key | |
| 26. | Clutch Disk | |
| 27. | Steel Clutch | |
| 28. | Button Head Screw 5/16" nc X 1/2 | |
| 29. | Front Oil Seal | |
| 30. | Bolt 5/16" nc X 1 | |
| 31. | Snap Ring | |
| 32. | Front InPut Bearing | |
| 33. | Air Vent | |
| 36. | Low & Direct shifting Rod *(Z) | |
| 37. | Reverse Shifting Rod | |
| 38. | Detent Ball | |
| 39. | Detent Spring | |
| 40. | Detent Spring High-Gear | |
| 41. | Shifting Fork Direct Drive | |
| 43. | Snap Ring Idler Gear | |
| 44. | Reverse Idler Gear | |
| 45. | Cage Needle Bearing | |
| 46. | Snap Ring (Late Model) | |
| 47. | Reverse Idler Shaft | |
| 48. | Woodruff Key | |
| 49. | Seal | |
| 50. | Snap Ring Modified | |
| 51. | OutPut Bearing Modified | |
| 52. | Rear Oil Seal | |
| 53. | Yoke | |
| 53c. | Yoke (Closed Drive) | |
| 54. | Rear Yoke Washer | |
| 55. | Bolt 3/8 nf X 1 1/4 | |
| 56. | OutPut Bearing (Late Model) | |
| 57. | Snap Ring (Late Model) | |
| 58. | Hex Socket Cap Screw 7/16 nc X 1 1/4 | |
| 59. | Cap screw 7/16 nc X 1/4 | |
| 60. | Extension Bushing | |
| 61. | Piston 1 3/8 | |
| 62. | Break Cup 1 3/8 | |
| 63. | Break Cup Extender | |
| 64. | Spring | |
| 65. | Rear Oil Seal | |
| 66. | Clutch Master | |
| 67. | Interlock Pin | |
| 68. | Filling Plug | |
| 69. | Output spacer | |
| 70. | Clutch Spacer | |
| 71. | Fork Retaining Pin | |
| 72. | Magnetic Plug | |
| 73. | Drain Plug | |
| 74. | Cage Needle Bearing | |
| 75. | Reverse Shifting Fork | |
| 76. | Frost plug 3/4 | |
| 77. | Shifter detent Ball (Modified) | |

(*8Z - *9Z - *11z - *36z) Refer to Dog Teeth